

Dome Housing &amp; Brackets

**GRUNDIG**

---

**Wall Mount Bracket**

---

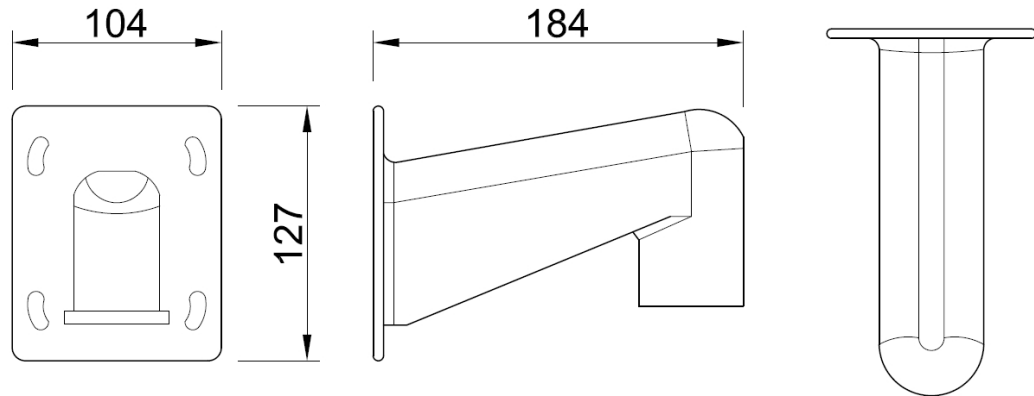
- Concealed Cable Management

---

**SPECIFICATIONS**

---

Suitable for	GCI-C0745P, GCI-K1779P, GCH-K0274P, GHO-M018, GBR-AM01(for GCI-C0735P), GBR-AM02, GBR-AM03, GBR-AM04, GBR-CM01, GBR-PM01
Body material	Die cast aluminium
Colour	White
Weight	0.6 kg
Dimensions w*h*d	104 x 127 x 184 mm

**DIMENSIONS****ACCESSORIES**

GBR-CM01  
Corner Mount Adapter



GBR-PM01  
Pole Mount Adapter