

Analogue Copper

**NITEK**®

---

**Video Surge Protector**

---

- Easy to install
- Compact Design
- Passive devices - do not need power

---

**SUMMARY**

---

AASSET's aim is to change the distribution market place by positioning itself as a major supplier with leading edge system design services. Our world-class partnerships can help you benefit from the latest technological breakthroughs by providing a solid foundation for the future success of your company.

Continuous operation of a CCTV security system is a key element in the protection of assets and providing safety. Some of the most unpredictable disruptions to the proper operation of a security system are lightning strikes and electrical surges. The currents produced by surges can be carried over any metallic conductor including plumbing and electrical wiring. Proper installation of surge protection is the best way to protect your system.

AASSET Security provides the complete range of CCTV surge protection from Nitek.

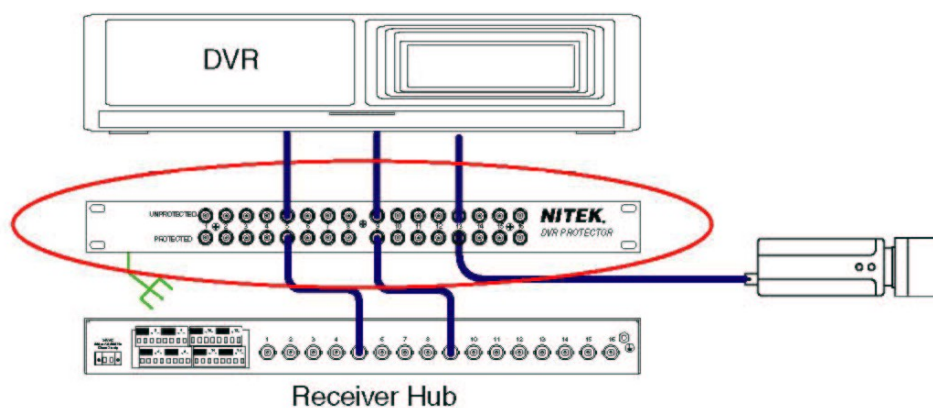
Analogue Copper



### SPECIFICATIONS

Video Inputs	16 CH Composite, BNC
Video Outputs	16 CH Composite, BNC
Clamping Voltage	2.8 V
Video Insertion Loss	< 0.2 dB
Operating Frequency	DC to 10 MHz
Operating Temperature	-40°C ~ +85°C
Humidity	less than 98%
Supply Voltage	none required
Weight	0.3 kg
Dimensions w*h*d	483 x 45 x 45 mm

### Application



16 channel DVR protection